

По вопросам продаж и поддержки обращайтесь:

Архангельск (8182)63-90-72  
Астана (7172)727-132  
Астрахань (8512)99-46-04  
Барнаул (3852)73-04-60  
Белгород (4722)40-23-64  
Брянск (4832)59-03-52  
Владивосток (423)249-28-31  
Волгоград (844)278-03-48  
Вологда (8172)26-41-59  
Воронеж (473)204-51-73  
Екатеринбург (343)384-55-89

Иваново (4932)77-34-06  
Ижевск (3412)26-03-58  
Казань (843)206-01-48  
Калининград (4012)72-03-81  
Калуга (4842)92-23-67  
Кемерово (3842)65-04-62  
Киров (8332)68-02-04  
Краснодар (861)203-40-90  
Красноярск (391)204-63-61  
Курск (4712)77-13-04  
Липецк (4742)52-20-81

Магнитогорск (3519)55-03-13  
Москва (495)268-04-70  
Мурманск (8152)59-64-93  
Набережные Челны (8552)20-53-41  
Нижний Новгород (831)429-08-12  
Новокузнецк (3843)20-46-81  
Новосибирск (383)227-86-73  
Омск (3812)21-46-40  
Орел (4862)44-53-42  
Оренбург (3532)37-68-04  
Пенза (8412)22-31-16

Пермь (342)205-81-47  
Ростов-на-Дону (863)308-18-15  
Рязань (4912)46-61-64  
Самара (846)206-03-16  
Санкт-Петербург (812)309-46-40  
Саратов (845)249-38-78  
Севастополь (8692)22-31-93  
Симферополь (3652)67-13-56  
Смоленск (4812)29-41-54  
Сочи (862)225-72-31  
Ставрополь (8652)20-65-13

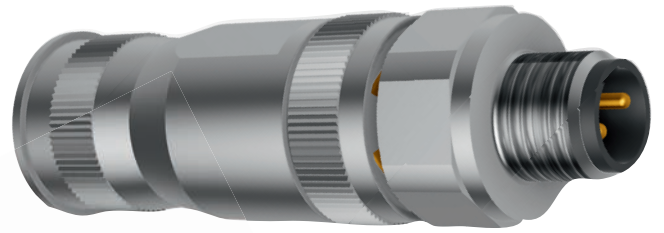
Сургут (3462)77-98-35  
Тверь (4822)63-31-35  
Томск (3822)98-41-53  
Тула (4872)74-02-29  
Тюмень (3452)66-21-18  
Ульяновск (8422)24-23-59  
Уфа (347)229-48-12  
Хабаровск (4212)92-98-04  
Челябинск (351)202-03-61  
Череповец (8202)49-02-64  
Ярославль (4852)69-52-93

Единый адрес: [ccn@nt-rt.ru](mailto:ccn@nt-rt.ru) | <http://www.conec.nt-rt.ru>

## SECTION 2

# CONNECTORS FIELD ATTACHABLE

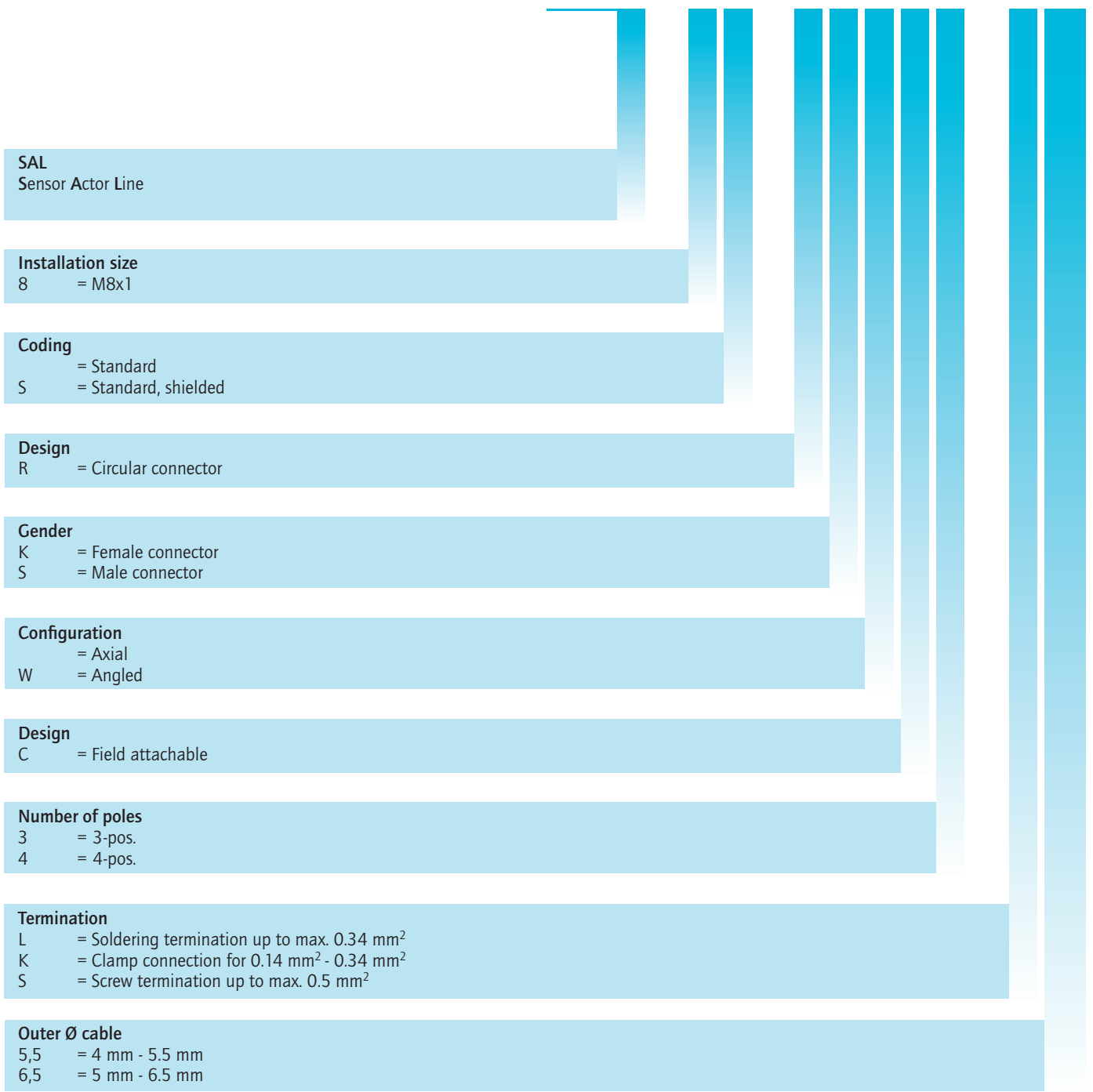




# SAL M8x1 CONNECTORS FIELD ATTACHABLE

## Nomenclature

S A L - 8 - R K W C 4 - L 55



**SAL**  
Sensor Actor Line

**Installation size**  
8 = M8x1

**Coding**  
= Standard  
S = Standard, shielded

**Design**  
R = Circular connector

**Gender**  
K = Female connector  
S = Male connector

**Configuration**  
= Axial  
W = Angled

**Design**  
C = Field attachable

**Number of poles**  
3 = 3-pos.  
4 = 4-pos.

**Termination**  
L = Soldering termination up to max. 0.34 mm<sup>2</sup>  
K = Clamp connection for 0.14 mm<sup>2</sup> - 0.34 mm<sup>2</sup>  
S = Screw termination up to max. 0.5 mm<sup>2</sup>

**Outer Ø cable**  
5,5 = 4 mm - 5.5 mm  
6,5 = 5 mm - 6.5 mm

# SAL M8x1 CONNECTORS FIELD ATTACHABLE

## Product specification

Basic material	
Contact	CuZn
Contact plating	Nickel plated, gold plated
Contact carrier	PA6 GF, UL 94 / PA6, UL 94
Housing	PA6 GF, UL 94
Cable sealing	NBR
Sealing	FPM
Coupling nut/-screw	GD-Zn, Ni / CuZn, Ni

Technical Data	
Information on the following pages are basing on below mentioned IEC-standards.	
Rated voltage	IEC 61076-2-104
Current rating	IEC 61076-2-104
Insulation resistance	IEC 60512
Degree of pollution	IEC 60664-1
Degree of protection	IEC 60529
Mating cycles	IEC 60512-9a

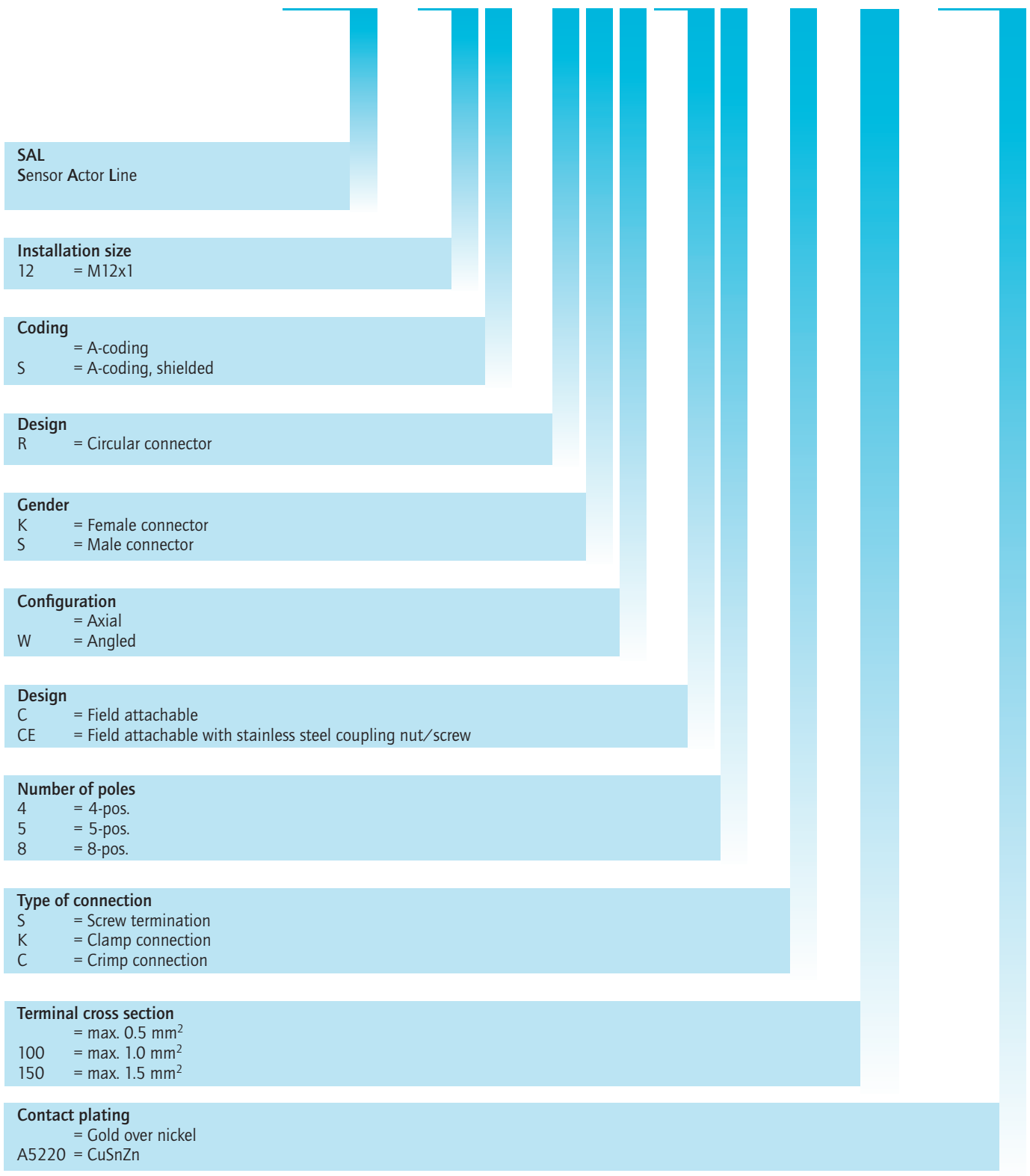
Recommended torquet: 0.4 Nm

Technical subject to change without notice.

# SAL M12x1 CONNECTORS FIELD ATTACHABLE

## Nomenclature

S A L - 1 2 - R K W C E 4 - S / 150 / A5220



**SAL**  
Sensor Actor Line

**Installation size**  
12 = M12x1

**Coding**  
= A-coding  
S = A-coding, shielded

**Design**  
R = Circular connector

**Gender**  
K = Female connector  
S = Male connector

**Configuration**  
= Axial  
W = Angled

**Design**  
C = Field attachable  
CE = Field attachable with stainless steel coupling nut/screw

**Number of poles**  
4 = 4-pos.  
5 = 5-pos.  
8 = 8-pos.

**Type of connection**  
S = Screw termination  
K = Clamp connection  
C = Crimp connection

**Terminal cross section**  
= max. 0.5 mm<sup>2</sup>  
100 = max. 1.0 mm<sup>2</sup>  
150 = max. 1.5 mm<sup>2</sup>

**Contact plating**  
= Gold over nickel  
A5220 = CuSnZn

# SAL M12x1 CONNECTORS FIELD ATTACHABLE

## Product specification

<b>Basic material</b>	
Contact	CuZn
Contact plating	Nickel plated, gold plated / CuSnZn
Contact carrier	PA6, UL 94
Housing	Standard: PA6 GF, UL 94 / Shielded: Die Cast, nickel plated
Clamp-/screw contact	Stainless steel nickel plated
Screw termination	CuZn/Ni, Sn gal.
Cable sealing	Elastomere
Sealing	FPM
Coupling nut/-screw	GD-Zn, Ni / stainless steel

## Technical Data

Information on the following pages are basing on below mentioned IEC-standards.

Rated voltage	IEC 61076-2-101
Current rating	IEC 61076-2-101
Insulation resistance	IEC 60512
Degree of pollution	IEC 60664-1
Degree of protection	IEC 60529
Mating cycles	IEC 60512-9a

Recommended torquet: 0.6 Nm

Technical subject to change without notice.

# SAL 7/8" CONNECTORS FIELD ATTACHABLE

## Nomenclature

S A L - 7 / 8 - R K C 4 - S

**SAL**  
Sensor Actor Line

**Installation size**  
7/8 = 7/8"

**Design**  
R = Circular connector

**Gender**  
K = Female connector  
S = Male connector

**Design**  
C = Field attachable

**Number of poles**  
2PE = 2-pos. + PE  
4 = 4-pos.  
4PE = 4-pos. + PE

**Type of connection**  
S = Screw termination

# SAL 7/8" CONNECTORS FIELD ATTACHABLE

## Product specification

Basic material	
Contact	CuZn
Contact plating	Nickel plated, gold plated
Contact carrier	TPU, UL 94
Housing	PA6 GF, UL 94
Cable sealing	Elastomere
Coupling nut/-screw	CuZn, nickel plated

## Technical Data

Information on the following pages are basing on below mentioned IEC-standards.

Rated voltage	IEC 60664-1
Overtoltage category	IEC 60664-1 2
Overtoltage impulse	IEC 60664-1 2,7kV
Current rating	IEC 60512-3
Insulation resistance	IEC 60512
Degree of pollution	IEC 60664-1
Degree of protection	IEC 60529
Mating cycles	IEC 60512-9a

Technical subject to change without notice.



# SAL M23 CONNECTORS FIELD ATTACHABLE

## Nomenclature

S A L - 2 3 - R K C 16+3 - C

**SAL**  
Sensor Actor Line

**Installation size**  
23 = M23

**Design**  
R = Circular connector

**Gender**  
K = Female connector  
S = Male connector

**Design**  
C = Field attachable

**Number of poles**  
16+3 = 16x Signal- + 3x Power contacts  
16.8+3 = 8x Signal- + 3x Power contacts

**Type of termination**  
C = Crimp termination  
L = Soldering termination

# SAL M23 CONNECTORS FIELD ATTACHABLE

## Product specification

Basic material	
Contact	CuZn
Contact plating	Nickel plated, gold plated
Contact carrier	PA6, UL 94 / PBT, UL 94
Housing	GD-Zn, Ni
Cable sealing	Elastomere
Coupling nut/-screw	GD-Zn, Ni

Technical Data	
Information on the following pages are basing on below mentioned IEC-standards.	
Rated voltage	IEC 60664-1
Current rating	IEC 60512-3
Insulation resistance	IEC 60512
Degree of pollution	IEC 60664-1
Degree of protection	IEC 60529
Mating cycles	IEC 60512-9a

Technical subject to change without notice.

# SAL M23 CONNECTORS FIELD ATTACHABLE WITH CABLE

## Nomenclature

S A L - 2 3 - R K C 16+3 / 5 / K 1

**SAL**  
Sensor Actor Line

**Installation size**  
23 = M23

**Design**  
R = Circular connector

**Gender**  
K = Female connector  
S = Male connector

**Design**  
C = Field attachable

**Number of poles**  
16+3 = 16x Signal- + 3x Power contacts  
16.8+3 = 8x Signal- + 3x Power contacts

**Cable length**  
xx = Length [m]

**Cable quality**  
K1 = TPU, black, high flexible, halogenfree, UL

# SAL M23 CONNECTORS FIELD ATTACHABLE WITH CABLE

## Product specification

Basic material	
Contact	CuZn
Contact plating	Nickel plated, gold plated
Contact carrier	PA6, UL 94 / PBT, UL 94
Housing	GD-Zn, Ni
Cable sealing	Elastomere
Coupling nut/-screw	GD-Zn, Ni

Technical Data	
Information on the following pages are basing on below mentioned IEC-standards.	
Rated voltage	IEC 60664-1
Current rating	IEC 60512-3
Insulation resistance	IEC 60512
Degree of pollution	IEC 60664-1
Degree of protection	IEC 60529
Mating cycles	IEC 60512-9a

Technical subject to change without notice.

# SAL RUND24 CONNECTORS FIELD ATTACHABLE

## Nomenclature

S A L - 2 4 - R K C 3 P E - S

**SAL**  
Sensor Actor Line

**Installation size**  
24 = Rund24

**Design**  
R = Circular connector

**Gender**  
K = Female connector  
S = Male connector

**Design**  
C = Field attachable

**Number of poles**  
3PE = 3-pos. + PE  
6PE = 6-pos. + PE

**Type of connection**  
S = Screw termination

# SAL RUND24 CONNECTORS FIELD ATTACHABLE

## Product specification

Basic material	
Contact	CuZn
Contact plating	Ni, Ag gal.
Contact carrier	PA6 GF, UL 94
Housing	PA6 GF, UL 94
Cable sealing	Elastomere
Sealing	FPM
Coupling nut/-screw	PA GF, UL 94

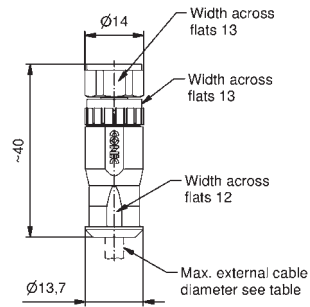
Technical Data	
Information on the following pages are basing on below mentioned IEC-standards.	
Rated voltage	IEC 60664-1
Current rating	IEC 60512-3
Insulation resistance	IEC 60512
Degree of pollution	IEC 60664-1
Degree of protection	IEC 60529
Mating cycles	IEC 60512-9a

Technical subject to change without notice.

## M8x1 CONNECTORS FIELD ATTACHABLE

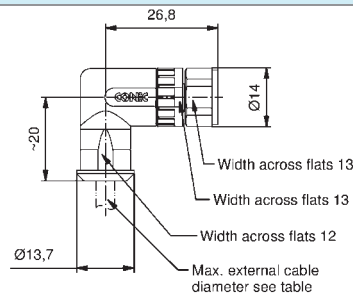
### Screw termination

#### Female connector axial



Number of poles	Coding	Rated voltage [V]	Current rating [A]	Outer ø cable [mm]	Wire cross section min-max [mm <sup>2</sup> ]	Description	Part No.
3		50 V DC / 60 V AC	4	4-5,5	0,14 - 0,5	SAL-8-RKC3-S5,5	42-00010
4		50 V DC / 60 V AC	4	4-5,5	0,14 - 0,5	SAL-8-RKC4-S5,5	42-00012

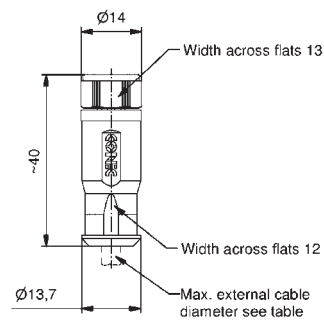
#### Female connector angled



3		50 V DC / 60 V AC	4	4-5,5	0,14 - 0,5	SAL-8-RKWC3-S5,5	42-00026
4		50 V DC / 60 V AC	4	4-5,5	0,14 - 0,5	SAL-8-RKWC4-S5,5	42-00028

### Clamp termination

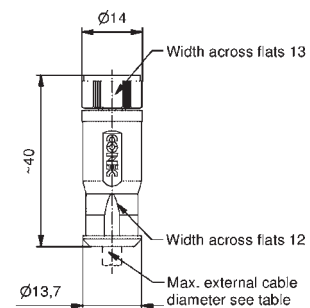
#### Female connector axial



3		50 V DC / 60 V AC	3	4-5,5	0,14 - 0,34	SAL-8-RKC3-K5,5	42-00002
4		50 V DC / 60 V AC	3	4-5,5	0,14 - 0,34	SAL-8-RKC4-K5,5	42-00004

### Solder termination

#### Female connector axial

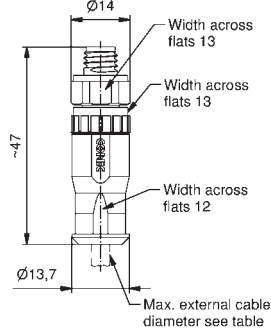


3		50 V DC / 60 V AC	3	4-5,5	0,14 - 0,34	SAL-8-RKC3-L5,5	42-00006
4		50 V DC / 60 V AC	3	4-5,5	0,14 - 0,34	SAL-8-RKC4-L5,5	42-00008

## M8x1 CONNECTORS FIELD ATTACHABLE

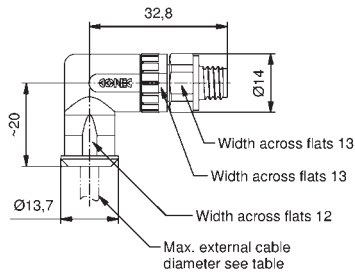
### Screw termination

#### Male connector axial



Number of poles	Coding	Rated voltage [V]	Current rating [A]	Outer ø cable [mm]	Wire cross section min-max [mm <sup>2</sup> ]	Description	Part No.
3		60 V DC 50 V AC	4	4-5,5	0,14 - 0,5	SAL-8-RSC3-S5,5	42-00009
4		60 V DC 50 V AC	4	4-5,5	0,14 - 0,5	SAL-8-RSC4-S5,5	42-00011

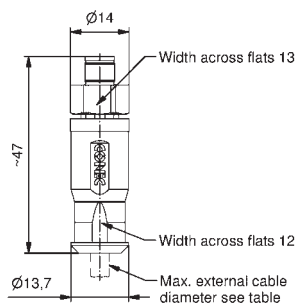
#### Male connector angled



3		60 V DC 50 V AC	4	4-5,5	0,14 - 0,5	SAL-8-RSWC3-S5,5	42-00025
4		60 V DC 50 V AC	4	4-5,5	0,14 - 0,5	SAL-8-RSWC4-S5,5	42-00027

### Clamp termination

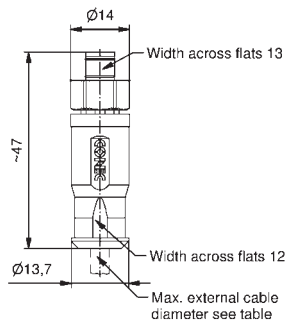
#### Male connector axial



3		60 V DC 50 V AC	3	4-5,5	0,14 - 0,34	SAL-8-RSC3-K5,5	42-00001
4		60 V DC 50 V AC	3	4-5,5	0,14 - 0,34	SAL-8-RSC4-K5,5	42-00003

### Solder termination

#### Male connector axial



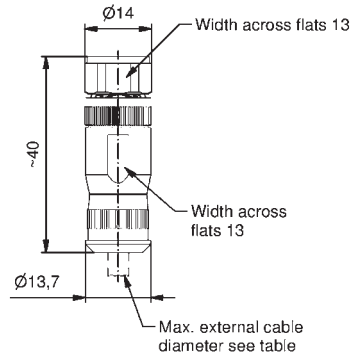
3		60 V DC 50 V AC	3	4-5,5	0,14 - 0,34	SAL-8-RSC3-L5,5	42-00005
4		60 V DC 50 V AC	3	4-5,5	0,14 - 0,34	SAL-8-RSC4-L5,5	42-00007



# M8x1 CONNECTORS FIELD ATTACHABLE 360° Shielding

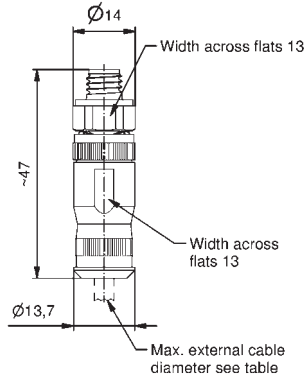
## Screw termination

### Female connector axial



Number of poles	Coding	Rated voltage [V]	Current rating [A]	Outer ø cable [mm]	Wire cross section min-max [mm <sup>2</sup> ]	Description	Part No.
3		50 V AC / 60 V DC	4	5-6,5	0,14 - 0,5	SAL-8S-RKC3-S6,5	42-00034
4		50 V AC / 60 V DC	4	5-6,5	0,14 - 0,5	SAL-8S-RKC4-S6,5	42-00036

### Male connector axial

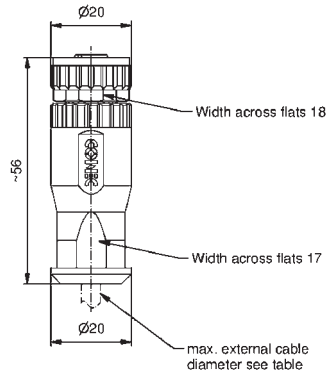


3		50 V AC / 60 V DC	4	5-6,5	0,14 - 0,5	SAL-8S-RSC3-S6,5	42-00033
4		50 V AC / 60 V DC	4	5-6,5	0,14 - 0,5	SAL-8S-RSC4-S6,5	42-00035

# M12x1 CONNECTORS FIELD ATTACHABLE

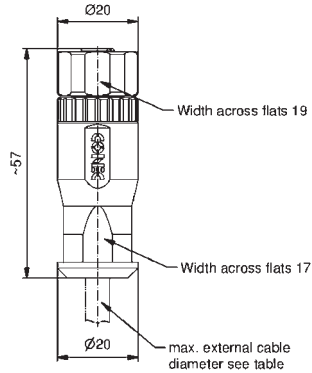
## Screw termination

### Female connector axial



Number of poles	Coding	Rated voltage [V]	Current rating [A]	Outer $\varnothing$ cable [mm]	Wire cross section min-max [mm <sup>2</sup> ]	Contact plating	Description	Part No.
4	A	250	7,5	4-8	0,25 - 1,5	Au	SAL-12-RKC4-S/150	43-00092
4	A	250	7,5	4-8	0,25 - 1,5	CuSnZn	SAL-12-RKC4-S/150/A5220	43-00268
5	A	60	7,5	4-8	0,25 - 1,5	Au	SAL-12-RKC5-S/150	43-00094
5	A	60	7,5	4-8	0,25 - 1,5	CuSnZn	SAL-12-RKC5-S/150/A5220	43-00269
8	A	30	2	4-8	0,14 - 0,5	Au	SAL-12-RKC8-S	43-00130

### Female connector axial with stainless steel coupling nut

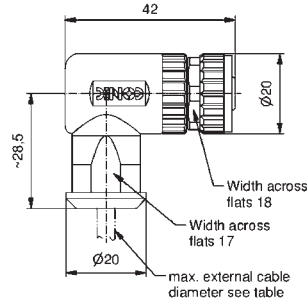


4	A	250	7,5	4-8	0,25 - 1,5	Au	SAL-12-RKCE4-S/150	43-00338
5	A	60	7,5	4-8	0,25 - 1,5	Au	SAL-12-RKCE5-S/150	43-00339
8	A	30	2	4-8	0,14 - 0,5	Au	SAL-12-RKCE8-S	43-00340

# M12x1 CONNECTORS FIELD ATTACHABLE

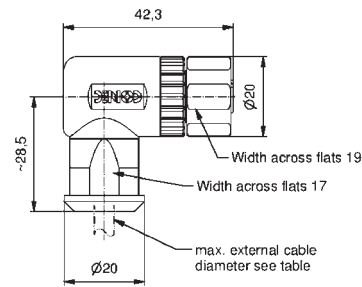
## Screw termination

### Female connector angled



Number of poles	Coding	Rated voltage [V]	Current rating [A]	Outer ø cable [mm]	Wire cross section min-max [mm²]	Contact plating	Description	Part No.
4	A	250	7,5	4-8	0,25 - 1,5	Au	SAL-12-RKWCE4-S/150	43-00096
4	A	250	7,5	4-8	0,25 - 1,5	CuSnZn	SAL-12-RKWCE4-S/150/A5220	43-00276
5	A	60	7,5	4-8	0,25 - 1,5	Au	SAL-12-RKWCE5-S/150	43-00098
5	A	60	7,5	4-8	0,25 - 1,5	CuSnZn	SAL-12-RKWCE5-S/150/A5220	43-00277
8	A	30	2	4-8	0,14 - 0,5	Au	SAL-12-RKWCE8-S	43-00131

### Female connector angled with stainless steel coupling nut

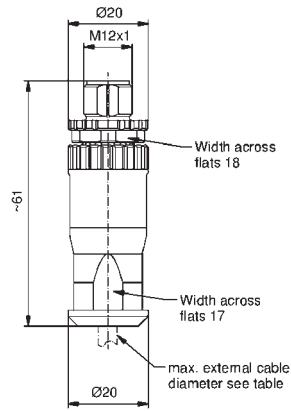
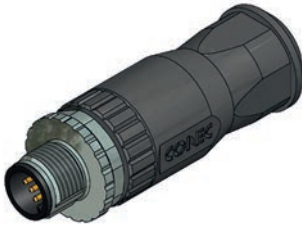


4	A	250	7,5	4-8	0,25 - 1,5	Au	SAL-12-RKWCE4-S/150	43-00349
5	A	60	7,5	4-8	0,25 - 1,5	Au	SAL-12-RKWCE5-S/150	43-00350
8	A	30	2	4-8	0,14 - 0,5	Au	SAL-12-RKWCE8-S	43-00351

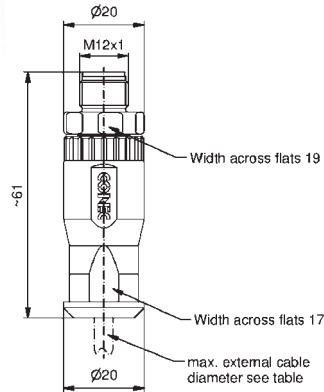
# M12x1 CONNECTORS FIELD ATTACHABLE

## Screw termination

### Male connector axial



### Male connector axial with stainless steel coupling screw

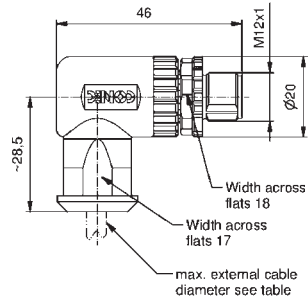


Number of poles	Coding	Rated voltage [V]	Current rating [A]	Outer ø cable [mm]	Wire cross section min-max [mm <sup>2</sup> ]	Contact plating	Description	Part No.
4	A	250	7,5	4-8	0,25 - 1,5	Au	SAL-12-RSC4-S/150	43-00100
4	A	250	7,5	4-8	0,25 - 1,5	CuSnZn	SAL-12-RSC4-S/150/A5220	43-00272
5	A	60	7,5	4-8	0,25 - 1,5	Au	SAL-12-RSC5-S/150	43-00102
5	A	60	7,5	4-8	0,25 - 1,5	CuSnZn	SAL-12-RSC5-S/150/A5220	43-00273
8	A	30	2	4-8	0,14 - 0,5	Au	SAL-12-RSC8-S	43-00132
4	A	250	7,5	4-8	0,25 - 1,5	Au	SAL-12-RSCE4-S/150	43-00341
5	A	60	7,5	4-8	0,25 - 1,5	Au	SAL-12-RSCE5-S/150	43-00342
8	A	30	2	4-8	0,14 - 0,5	Au	SAL-12-RSCE8-S	43-00343

# M12x1 CONNECTORS FIELD ATTACHABLE

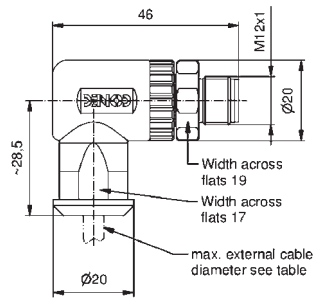
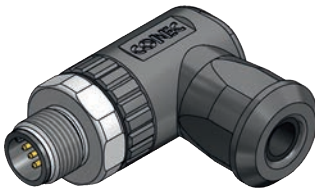
## Screw termination

### Male connector angled



Number of poles	Coding	Rated voltage [V]	Current rating [A]	Outer ø cable [mm]	Wire cross section min-max [mm²]	Contact plating	Description	Part No.
4	A	250	7,5	4-8	0,25 - 1,5	Au	SAL-12-RSWC4-S/ 150	43-00104
4	A	250	7,5	4-8	0,25 - 1,5	CuSnZn	SAL-12-RSWCE4-S/ 150/A5220	43-00278
5	A	60	7,5	4-8	0,25 - 1,5	Au	SAL-12-RSWC5-S/ 150	43-00106
5	A	60	7,5	4-8	0,25 - 1,5	CuSnZn	SAL-12-RSWC5-S/ 150/A5220	43-00279
8	A	30	2	4-8	0,14 - 0,5	Au	SAL-12-RSWC8-S	43-00133

### Male connector angled with stainless steel coupling screw

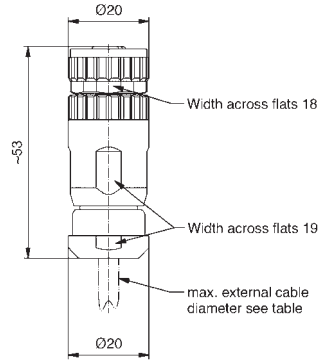
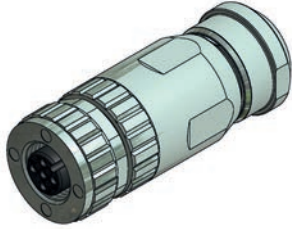


4	A	250	7,5	4-8	0,25 - 1,5	Au	SAL-12-RSWCE4-S/ 150	43-00352
5	A	60	7,5	4-8	0,25 - 1,5	Au	SAL-12-RSWCE5-S/ 150	43-00353
8	A	30	2	4-8	0,14 - 0,5	Au	SAL-12-RSWCE8-S	43-00354

# M12x1 CONNECTORS FIELD ATTACHABLE 360° Shielding

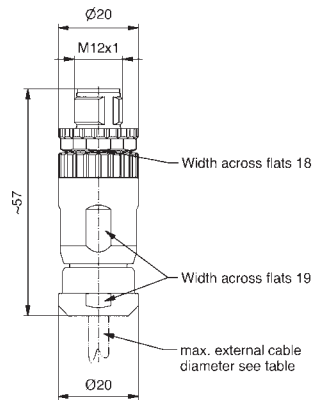
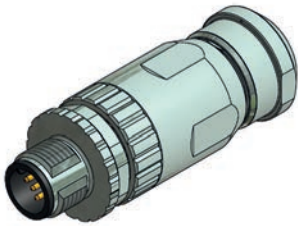
## Screw termination

### Female connector axial



Number of poles	Coding	Rated voltage [V]	Current rating [A]	Outer ø cable [mm]	Wire cross section min-max [mm <sup>2</sup> ]	Contact plating	Description	Part No.
4	A	250	7,5	4-8	0,25 - 1,5	Au	SAL-12S-RKC4-S/ 150	43-00113
4	A	250	7,5	4-8	0,25 - 1,5	CuSnZn	SAL-12S-RKC4-S/ 150/A5220	43-00326
5	A	60	7,5	4-8	0,25 - 1,5	Au	SAL-12S-RKC5-S/ 150	43-00114
5	A	60	7,5	4-8	0,25 - 1,5	CuSnZn	SAL-12S-RKC5-S/ 150/A5220	43-00356
8	A	30	2	4-8	0,14 - 0,5	Au	SAL-12S-RKC8-S	43-00128

### Male connector axial

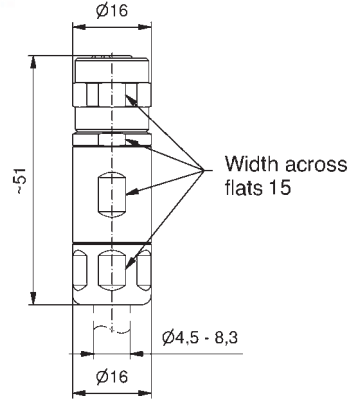


4	A	250	7,5	4-8	0,25 - 1,5	Au	SAL-12S-RSC4-S/ 150	43-00115
5	A	60	7,5	4-8	0,25 - 1,5	Au	SAL-12S-RSC5-S/ 150	43-00116
8	A	30	2	4-8	0,14 - 0,5	Au	SAL-12S-RSC8-S	43-00129

**M12x1 CONNECTORS FIELD ATTACHABLE**  
**360° Shielding**

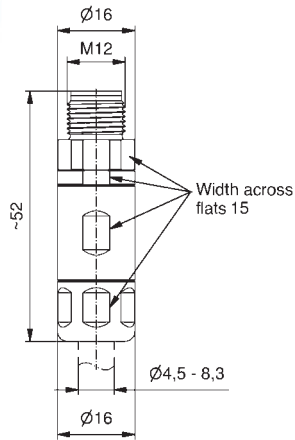
**Crimp termination**

**Female connector axial**



Number of poles	Coding	Rated voltage [V]	Current rating [A]	Outer ø cable [mm]	Wire cross section min-max [mm <sup>2</sup> ]	Description	Part No.
4	A	250	4	4,5 - 8,3	0,25 - 0,5	SAL-12S-RKC4-C	43-00419
4	A	250	4	4,5 - 8,3	0,34 - 1,0	SAL-12S-RKC4-C/100	43-00421

**Male connector axial**

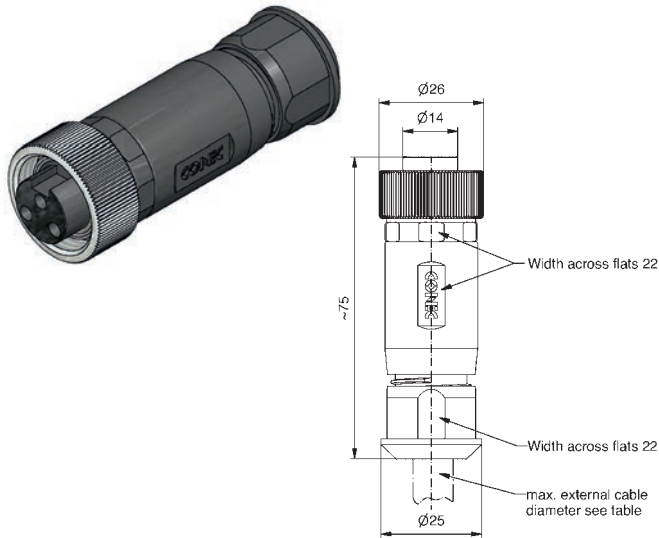


4	A	250	4	4,5 - 8,3	0,25 - 0,5	SAL-12S-RSC4-C	43-00420
4	A	250	4	4,5 - 8,3	0,34 - 1,0	SAL-12S-RSC4-C/100	43-00424

## 7/8" CONNECTORS FIELD ATTACHABLE

### Screw termination

#### Female connector axial



Number of poles	Coding	Rated voltage [V]	Current rating [A]	Outer ø cable [mm]	Wire cross section min-max [mm <sup>2</sup> ]	Description	Part No.
2+PE		250	12	6-12	0,5 - 1,5	SAL-7/8-RKC2PE-S	41-00001
4		250	9	6-12	0,5 - 1,5	SAL-7/8-RKC4-S	41-00002
4+PE		250	9	6-12	0,5 - 1,5	SAL-7/8-RKC4PE-S	41-00003

#### Male connector axial



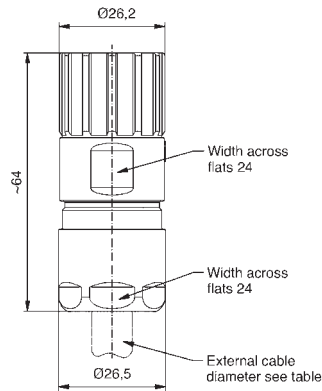
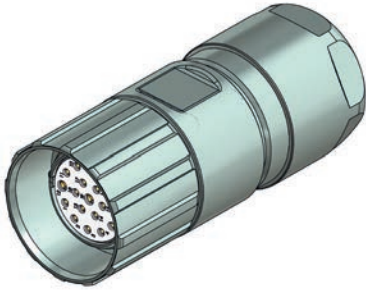
2+PE		250	12	6-12	0,5 - 1,5	SAL-7/8-RSC2PE-S	41-00004
4		250	9	6-12	0,5 - 1,5	SAL-7/8-RSC4-S	41-00005
4+PE		250	9	6-12	0,5 - 1,5	SAL-7/8-RSC4PE-S	41-00006



## M23 CONNECTORS FIELD ATTACHABLE

### Solder termination

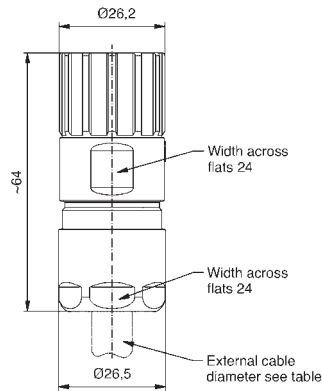
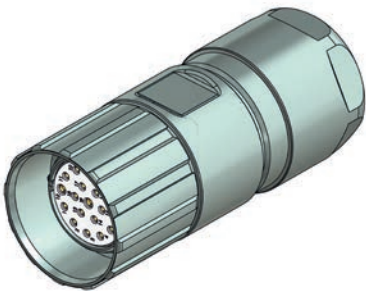
#### Female connector axial



Number of poles	Coding	Rated voltage [V]	Current rating [A]	Outer ø cable [mm]	Wire cross section min-max [mm <sup>2</sup> ]	Cable length [m]	Description	Part No.
16+3		100	10/8	3-17	Signal max. 0,5 mm <sup>2</sup> Power max. 1,0 mm <sup>2</sup>		SAL-23-RKC16+3-L	41-90001

### Crimp termination

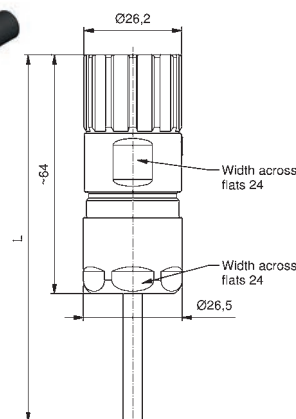
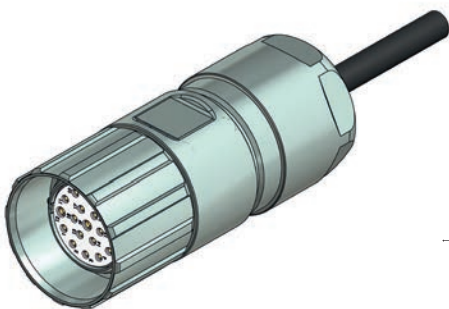
#### Female connector axial



8+3		100	10/8	3-17	Signal max. 0,5 mm <sup>2</sup> Power max. 1,0 mm <sup>2</sup>		SAL-23-RKC16.8+3-C	41-90002
16+3		100	10/8	3-17	Signal max. 0,5 mm <sup>2</sup> Power max. 1,0 mm <sup>2</sup>		SAL-23-RKC16+3-C	41-90000

### With cable

#### Female connector axial, TPU UL, halogenfree, black, Li9Y11Y

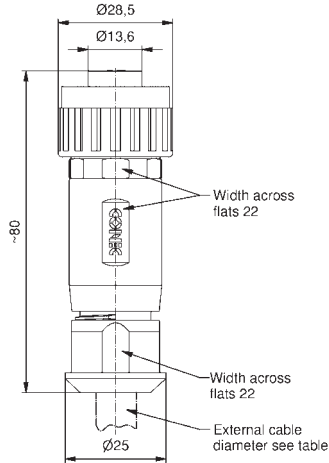


8+3		100	10/8	3 x 1 <sup>2</sup> + 8 x 0,34 <sup>2</sup>	5	SAL-23-RKC16.8+3-5/K1	41-90005
					10	SAL-23-RKC16.8+3-10/K1	41-90006
16+3		100	10/8	3 x 1 <sup>2</sup> + 16 x 0,34 <sup>2</sup>	5	SAL-23-RKC16+3-5/K1	41-90003
					10	SAL-23-RKC16+3-10/K1	41-90004

# Rund24 CONNECTORS FIELD ATTACHABLE

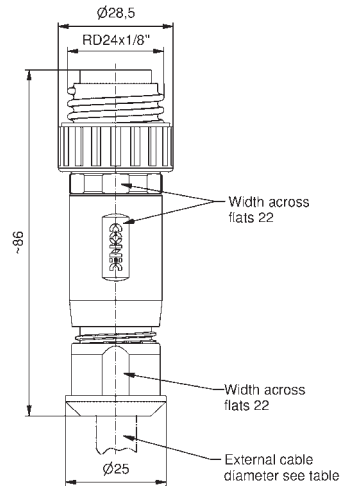
## Screw termination

### Female connector axial



Number of poles	Coding	Rated voltage [V]	Current rating [A]	Outer ø cable [mm]	Wire cross section min-max [mm <sup>2</sup> ]	Description	Part No.
3+PE		400	16	6-12	0,5 - 1,5	SAL-24-RKC3PE-S	41-50000
6+PE		250	10	6-12	0,5 - 1,5	SAL-24-RKC6PE-S	41-50001

### Male connector axial



3+PE		400	16	6-12	0,5 - 1,5	SAL-24-RSC3PE-S	41-50002
6+PE		250	10	6-12	0,5 - 1,5	SAK-24-RSC6PE-S	41-50003

По вопросам продаж и поддержки обращайтесь:

Архангельск (8182)63-90-72  
 Астана (7172)727-132  
 Астрахань (8512)99-46-04  
 Барнаул (3852)73-04-60  
 Белгород (4722)40-23-64  
 Брянск (4832)59-03-52  
 Владивосток (423)249-28-31  
 Волгоград (844)278-03-48  
 Вологда (8172)26-41-59  
 Воронеж (473)204-51-73  
 Екатеринбург (343)384-55-89

Иваново (4932)77-34-06  
 Ижевск (3412)26-03-58  
 Казань (843)206-01-48  
 Калининград (4012)72-03-81  
 Калуга (4842)92-23-67  
 Кемерово (3842)65-04-62  
 Киров (8332)68-02-04  
 Краснодар (861)203-40-90  
 Красноярск (391)204-63-61  
 Курск (4712)77-13-04  
 Липецк (4742)52-20-81

Магнитогорск (3519)55-03-13  
 Москва (495)268-04-70  
 Мурманск (8152)59-64-93  
 Набережные Челны (8552)20-53-41  
 Нижний Новгород (831)429-08-12  
 Новокузнецк (3843)20-46-81  
 Новосибирск (383)227-86-73  
 Омск (3812)21-46-40  
 Орел (4862)44-53-42  
 Оренбург (3532)37-68-04  
 Пенза (8412)22-31-16

Пермь (342)205-81-47  
 Ростов-на-Дону (863)308-18-15  
 Рязань (4912)46-61-64  
 Самара (846)206-03-16  
 Санкт-Петербург (812)309-46-40  
 Саратов (845)249-38-78  
 Севастополь (8692)22-31-93  
 Симферополь (3652)67-13-56  
 Смоленск (4812)29-41-54  
 Сочи (862)225-72-31  
 Ставрополь (8652)20-65-13

Сургут (3462)77-98-35  
 Тверь (4822)63-31-35  
 Томск (3822)98-41-53  
 Тула (4872)74-02-29  
 Тюмень (3452)66-21-18  
 Ульяновск (8422)24-23-59  
 Уфа (347)229-48-12  
 Хабаровск (4212)92-98-04  
 Челябинск (351)202-03-61  
 Череповец (8202)49-02-64  
 Ярославль (4852)69-52-93

Единый адрес: [ccn@nt-rt.ru](mailto:ccn@nt-rt.ru) | <http://www.conec.nt-rt.ru>